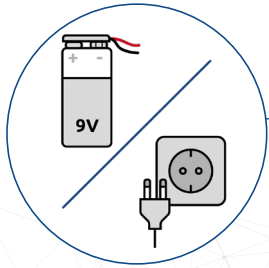




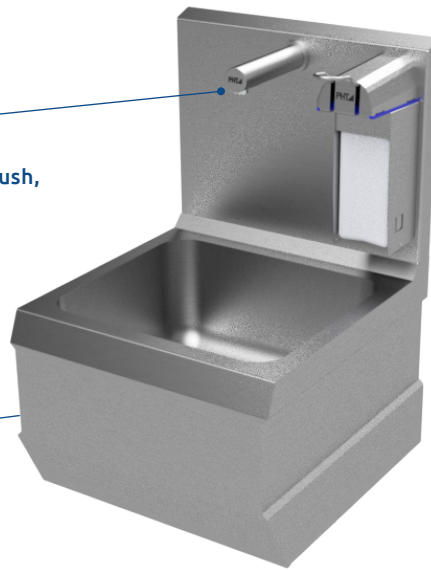
Automatic hygiene flush,
self-adjusting sensor



Optional remote to control the sensor
range / hygiene flush interval



Flexible
power supply



Name: PHT-hand cleaning Basin WashX Typ 33110
Article number: HI01-00020-TLRA00

Illustrations may vary.
Technical changes and errors excepted.

PHT-hand cleaning basins and troughs WashX InnovationX for your hygiene safety...

- Automatic hygiene flush:
 - Interval time adjustable, 0-72 hours (only in conjunction with optional remote control)
 - Factory setting: 72 hours
 - adjustable in steps of 12 hours
 - Flushing time: 30 sec.
- Self-adjusting sensor
- Power supply can be used flexibly (mains or battery operation)
 - 230 V/50-60 Hz
 - 9V battery operation (battery not included)

Equipment features:

- Depending on version with 1-4 outlet fittings
- PHT dispenser Liquid1000 made of stainless steel on the rear wall of the basin
- Contactless sensor control in the outlet tap
- Generously dimensioned, hygiene-optimized basin body
- Thermal mixing valve, can be used for thermal disinfection up to 70 °C, incl. backflow preventer
- Wall mounting rail (easy to install)

(Water inlet, siphon, sealing and small parts and battery not included)

Technical data

Material	Stainless steel 1.4301
Mains connection	230 V (1/N/PE), 0,02 kW
Battery operation (optional)	9V DC
Pipe pressure	3-8 bar
Protection class	IP 54
Water disposal connection	R 1 1/2"

Media connections:

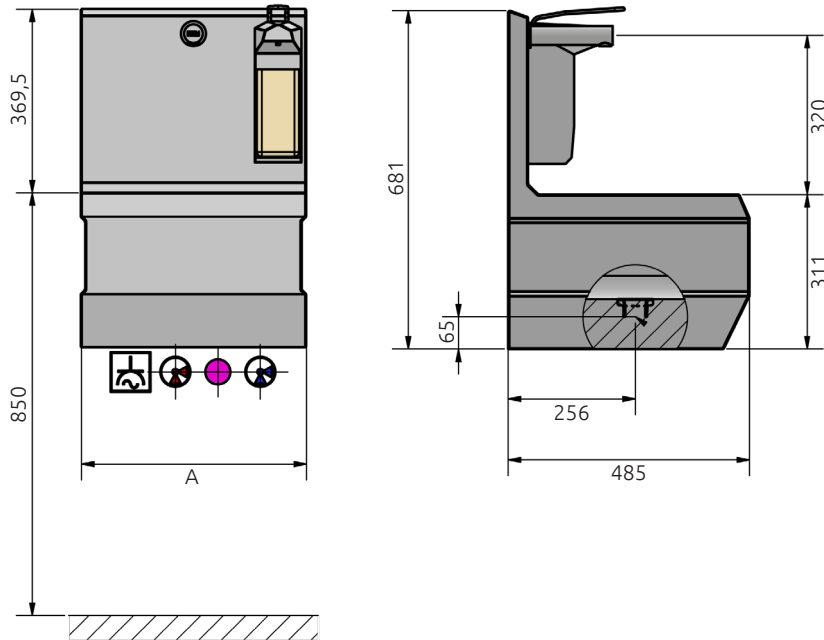
1/2" a hot water	max. +70 °C, 3-8 bar
1/2" a cold water	3-8 bar
Mixed water (optional)	approx. 38 °C, 3-8 bar

Type-specific data:

	Washing areas	External dimensions W x D x H (in mm)
Type 33110	1	452 x 485 x 681
Type 33120	2	950 x 485 x 681
Type 33130	3	1460 x 485 x 681
Type 33140	4	1970 x 485 x 681



Connection drawing | Type 33110:



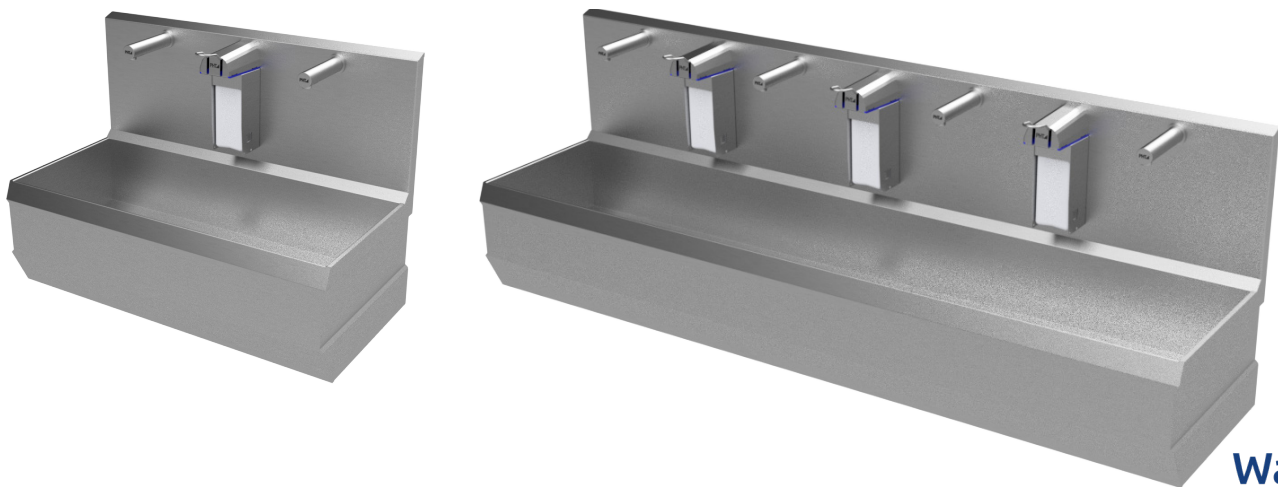
Type description	Width, dimension A
Type 33110	452
Type 33120	950
Type 33130	1460
Type 33140	1970

Dimensions in mm

Options:

- Media supply from above
- Pedestals with and without internal pipework
- Instantaneous water heater can be integrated under the basin and trough body
- Remote for controlling the sensor range / hygiene rinsing interval

Illustrations - further versions:



Name: PHT-hand cleaning trough WashX Type 33120
Article number: HI01-00021-TL1A00

Name: PHT-hand cleaning trough WashX Type 33140
Article number: HI01-00023-TL3A00

Illustrations may vary.
Technical changes and errors excepted.

Revisionsstand V 1.0 | 06.2024